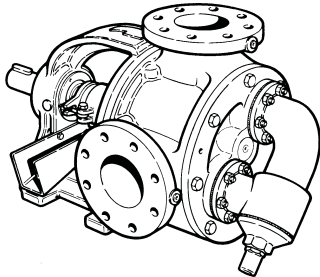
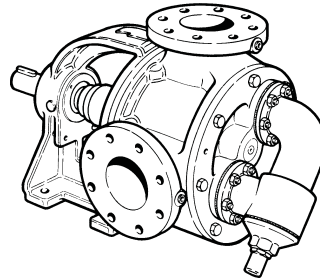


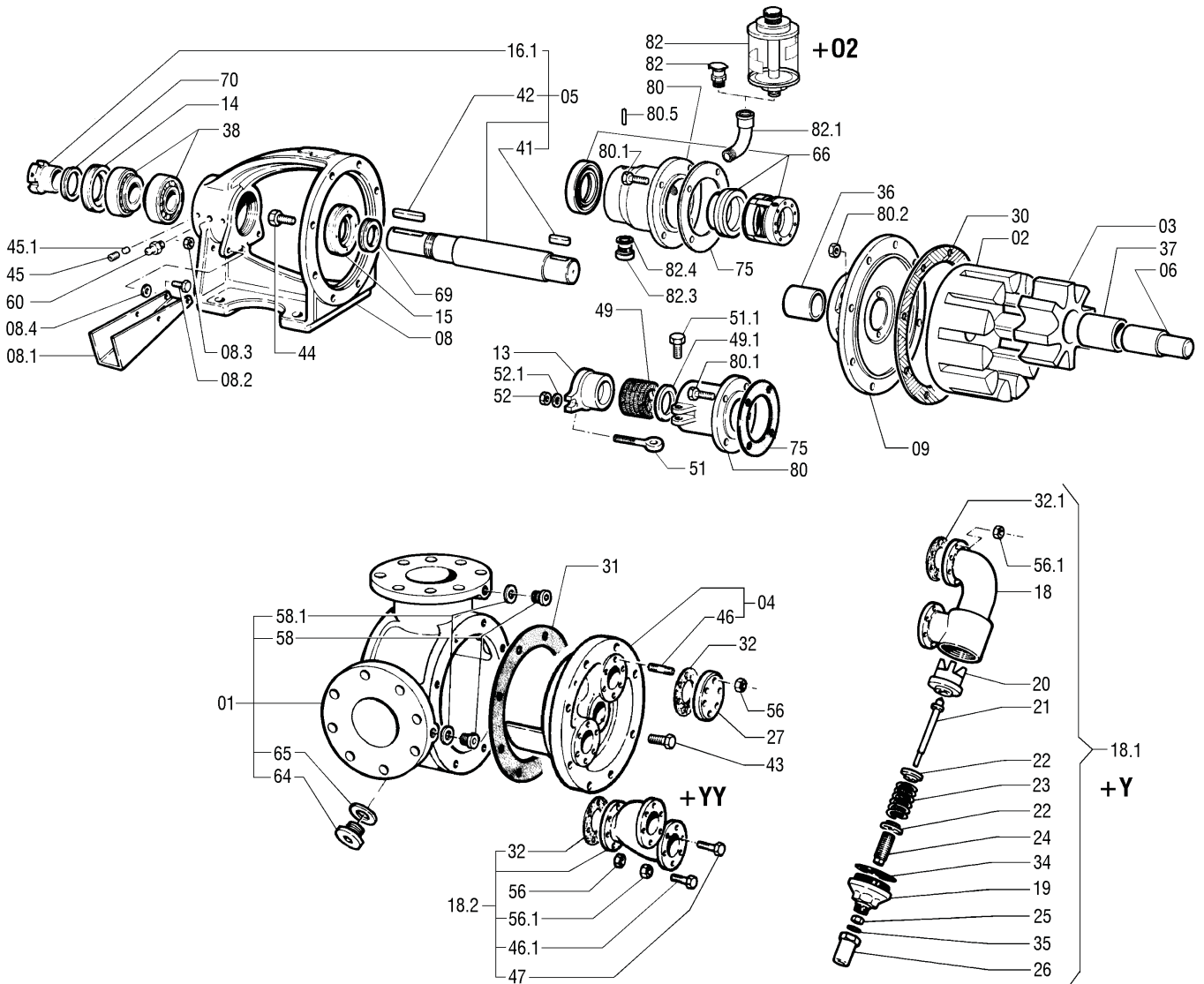
**DISINTA DELLE PARTI COSTITUENTI LE POMPE ROTATIVE VOLUMETRICHE SERIE "V"**  
**SPARE PARTS LIST FOR "V" SERIES POSITIVE-DISPLACEMENT ROTARY PUMPS**  
**LISTE DES PIECES DE RECHANGE POUR POMPES ROTATIVES VOLUMETRIQUES SERIE "V"**  
**ERSATZTEILLISTE FÜR SELBSTANSAUGENDE INNENZAHNRADPUMPEN SERIE "V"**



V120-2 SP Code 1001 0455



V120-2 ST4W Code 1001 0457  
 V120-2 ST4WBS Code 1001 0459



Dosierpumpen, Chemiekreiselpumpen, Schlamm- und Abwasserpumpen, Anlagen zum Reinigen industrieller Abluft

ZIER Pumpen und Anlagen AG  
 CH -9323 Steinach

Telefon: (++41) 71 446 00 00  
 Fax: (++41) 71 446 00 05

E-Mail: [info@zier-anlagenbau.ch](mailto:info@zier-anlagenbau.ch)  
 Internet: [www.zier-anlagenbau.ch](http://www.zier-anlagenbau.ch)

**varisco®**  
 a solid name in fluids

Rif. N°. Pos. Nr. Ref. no. Réf. N°.	Quant.	Denominazione	Part name	Den. Comm. Type	Mat.*	Codice Vecchio Old Part No.	Codice Nuovo New Part No.	V120-2 SP	V120-2 ST4W	V120-2 ST4WBS
01	1	Corpo (1)	Casing (1)		GS	5319 3074	1002 0886	○	○	○
02	1	Rotore	Rotor		GS	3765 3020	1000 6599	○	○	○
03	1	Ruota oziosa	Idler		GS	3780 3044	1000 6763	○	○	
					GSH	3780 3038	1000 6760			○
04	1	Coperchio (2)	Cover (2)		GS	5270 3029	1002 0887	○	○	○
05	1	Albero (3)	Shaft (3)	D.70	SH	5032 4016	1000 7621	○	○	
					K9	5032 5034	1000 7631			○
06	1	Perno	Idler pin	D.70	T	3540 4049	1000 5914	○	○	
					K9	3540 5022	1000 5938			○
08	1	Supporto	Bearing housing		G	3872 3019	1000 6894	○	○	○
08.1	1	Colatoio	Drip tray		S	3435 4004	1000 5480	○		
08.2	2	Vite	Screw	M 8 x 20 DIN 933	S	1478 4010	1000 1937	○		
08.3	2	Dado	Nut	M 8 DIN 934	S	1420 4004	1000 1420	○		
08.4	2	Rondella	Washer	M 8 DIN 125 A	S	1450 4003	1000 1689	○		
09	1	Flangia supporto	Rear cover		GS	3375 3015	1000 5149	○		
					GS	3375 3024	1000 5155		○	○
13	1	Premitreccia	Gland		G	3690 3010	1000 6520	○		
14	1	Copricuscinetto	Bearing cover		G	3287 3025	1000 4811	○	○	○
15	1	Copricuscinetto	Bearing cover		G	3287 3025	1000 4811	○	○	○
16.1	1	Ghiera	Sleeve		S	3107 4505	1000 4241	○	○	○
18	1	Corpo By-pass	By-pass casing		G	3240 3020	1000 4461	①	①	①
	2				G	3240 3020	1000 4461	②	②	②
18.1	1	By-pass completo	By-pass		G	5090 3034	1000 7750	①	①	①
	2				G	5090 3034	1000 7750	②	②	②
18.2	2	Raccordo doppio (4)	Double manifold (4)		G	5240 3027	1000 7908	②	②	②
19	1	Coperchio By-pass	By-pass cover		G	3240 3005	1000 4451	①	①	①
	2				G	3240 3005	1000 4451	②	②	②
20	1	Valvola By-pass	By-pass check valve		G	3240 3030	1000 4469	①	①	①
	2				G	3240 3030	1000 4469	②	②	②
21	1	Perno By-pass	By-pass idler pin		S	3240 4014	1000 4488	①	①	①
	2				S	3240 4014	1000 4488	②	②	②
22	2	Piattello By-pass	By-pass plate		G	3240 4004	1000 4480	①	①	①
	4				G	3240 4004	1000 4480	②	②	②
23	1	Molla By-pass	By-pass spring	D. 8 x 42 x 95 x 15,5	SHT	3495 4020	1000 5789	①	①	①
	2				SHT	3495 4020	1000 5789	②	②	②
24	1	Vite By-pass	By-pass screw		B	3240 2003	1000 4444	①	①	①
	2				B	3240 2003	1000 4444	②	②	②
25	1	Dado	Nut		B	3240 2005	1000 4446	①	①	①
	2				B	3240 2005	1000 4446	②	②	②
26	1	Cappello By-pass	By-pass cap		A	3240 1001	1000 4440	①	①	①
	2				A	3240 1001	1000 4440	②	②	②
27	2	Flangia By-pass	By-pass flange		S	3362 4000	1000 5131	○	○	○
30 (**)	1	Guarnizione corpo	Casing gasket	350 x 433 x 0,5						
31 (**)	1	Guarnizione coperchio	Cover gasket	350 x 433 x 0,5						
32 (**)	2	Guarnizione By pass	By pass gasket	85 x 149 x 0,5						
32.1	2	Guarnizione	Gasket		E3	3450 0008	1000 5496	①	①	①
	4				E3	3450 0008	1000 5496	②	②	②
34	1	Guarnizione	Gasket	121 x 140 x 0,5	E3	3450 0023	1000 5507	①	①	①
	2				E3	3450 0023	1000 5507	②	②	②
35	1	Guarnizione cappell.	Cap gasket	28 x 37 x 0,5	E3	3450 0013	1000 5499	①	①	①
	2				E3	3450 0013	1000 5499	②	②	②
36	1	Bronzina supporto	Bearing bush	70 x 90 x 120	AD10	3120 2050	1000 4315	○	○	
					GR	3120 0027	1000 4274			○
37	1	Bronzina ruota oziosa	Idler bush	70 x 90 x 120	AD10	3120 2050	1000 4315	○	○	
					GR	3120 0027	1000 4274			○

Rif. N°. Pos. Nr. Ref. no. Réf. N°.	Quant.	Denominazione	Part name	Den. Comm. Type	Mat.*	Codice Vecchio Old Part No.	Codice Nuovo New Part No.	V120-2 SP	V120-2 ST4W	V120-2 ST4BS
38	2	Cuscinetto	Ball bearing	32213	S	1418 0022	1000 1343	○	○	○
41	1	Linguetta	Key	18 x 11 x 80 DIN 6885A	K	1434 5016	1000 1631	○	○	○
42	1	Linguetta	Key	18 x 11 x 120 DIN 6885A	S	1434 4026	1000 1604	○	○	○
43 (*)	8	Vite	Screw	M 16 x 40 DIN 933	S			○	○	○
44 (*)	8	Vite	Screw	M 16 x 70 DIN 931	S			○	○	○
45 (*)	2	Vite	Screw	M 8 x 25 DIN 913	S			○	○	○
45.1 (*)	2	Pastiglia	Shim	D. 6 x 5	R			○	○	○
46 (*)	12	Prigioniero	Stud	M 10 x 25 DIN 938	S			○	○	○
46.1	20	Vite	Screw	M 10 x 40 DIN 931	S	1478 4028	1000 1951	⊗	⊗	⊗
47	4	Vite	Screw	M 10 x 25 DIN 933	S	1478 4025	1000 1948	⊗	⊗	⊗
49	1	Baderna	Packing	70 x 95 x 12,5 x 5	TE	5060 0041	1000 7649	○		
49.1	1	Anello	Ring		K	3045 5020	1000 4093	○		
51	2	Tirante	Eyebolt	M 10 x 60 DIN 444B	H	1466 5002	1000 1815	○		
51.1	2	Vite	Screw	M 10 x 35 DIN 933	S	1478 4027	1000 1950	○		
52	2	Dado	Nut	M 10 DIN 934	S	1420 4005	1000 1421	○		
52.1	2	Rondella	Washer	M 10 DIN 125A	S	1450 4005	1000 1691	○		
56 (*)	12	Dado	Nut	M 10 DIN 934	S			○	○	○
56.1	12	Dado	Nut	M 10 DIN 934	S	1420 4005	1000 1421	⊕	⊕	⊕
	24			M 10 DIN 934	S	1420 4005	1000 1421	⊗	⊗	⊗
58 (*)	2	Tappo	Plug	R 1/4" DIN 908	S	1671 4002	1000 2410	○	○	○
58.1 (**)	2	Guarnizione	Gasket	1/4"						
60 (*)	1	Ingrassatore	Grease nipple	1/4"	S			○	○	○
64 (*)	2	Tappo	Plug	R 1/2" DIN 908	S			○	○	○
65 (**)	2	Guarnizione	Gasket	1/2"						
66	1	Tenuta completa	Mechanical seal	N 70 WCT - FL		5919 4015	1000 8954		○	○
69	1	Paraolio	Oil seal	V-Ring 70S		1408 6009	1000 1298	○	○	○
70	1	Paraolio	Oil seal	V-Ring 75S		1408 6010	1000 1299	○	○	○
75	1	Guarnizione	Gasket	126 x 164 x 0,5	E3					
80	1	Portabaderna	Stuffing box		G	3615 3014	1000 6163	○		
		Portatenuta	Seal box		G		1001 6891		○	○
80.1	8	Vite	Screw	M 8 x 35 DIN 933	S	1478 4013	1000 1940	○	○	○
80.2	8	Dado	Nut	M 8 DIN 934	S	1420 4004	1000 1420	○	○	○
80.5	1	Spina	Spring pin	4 x 20	H	1463 5007	1000 1784		○	○
82	1	Oliatore	Oil lubricator	R 1/4" KLG 4	S	1444 0053	1000 1671		○	○
				R 1/4"		1444 0055	1000 1672		⊗	⊗
82.1	1	Curva	Elbow	R 1/4"	G	1601 3002	1000 2292		○	○
82.3	3	Tappo	Plug	R 1/4" DIN 908	S	1671 4002	1000 2410		○	○
82.4	3	Guarnizione	Gasket	1/4"	D	3450 0600	1000 5657		○	○
(*)		Serie viterie	Set of screws				1001 5179	○	○	○
(**)		Serie guarnizioni	Set of gaskets				1001 4969	○	○	○

**Note:**

- 1) Completo di tappi (58, 64) e guarnizioni (58.1, 65).
- 2) Completo di prigionieri (46)
- 3) Completo di linguette (41, 42) e ghiera (16.1).
- 4) Completo di viti (46.1, 47), guarnizione (32) e dadi (56.1)

- ① + Y Con by-pass  
 ② + YY Con doppio by-pass  
 ③ + O2 Oliatore da 140 ml in vetro

**\* Materiali di costruzione**

A	= Alluminio
B	= Bronzo
AD10	= Bronzo AD10
D	= Guarnital o fibra
E3	= Centellen VS 3820
G	= Ghisa
GR	= Grafite
GS	= Ghisa sferoidale
GSH	= Ghisa sferoidale sulfinitizzata
H	= Acciaio inox AISI 304
K	= Acciaio inox AISI 316
K9	= Acciaio inox AISI 329
R	= Rame
S	= Acciaio
SH	= Acciaio trattato
SHT	= Acciaio per alte temperature
T	= Acciaio cementato
TE	= Teflon

Ordinare il materiale indicando sempre la quantità, la denominazione, il codice del pezzo, il tipo ed il numero della pompa.

**Notes:**

- 1) Complete with plugs (58, 64) and gaskets (58.1, 65).
- 2) Complete with studs (46)
- 3) Complete with keys (41, 42) and sleeve (16.1)
- 4) Complete with screws (46.1, 47), gasket (32) and nuts (56.1).

- ① + Y With by-pass  
 ② + YY With double by-pass  
 ③ + O2 With 140 ml glass oil lubricator

**\* Construction materials**

A	= Aluminium
B	= Bronze
AD10	= AD10 Bronze
D	= Guarnital or fiber
E3	= Centellen VS 3820
G	= Cast iron
GR	= Graphite
GS	= Ductile cast iron
GSH	= Sulfured graphite cast iron
H	= AISI 304 stainless steel
K	= AISI 316 stainless steel
K9	= AISI 329 stainless steel
R	= Copper
S	= Steel
SH	= Hardened steel
SHT	= Steel for high temperature
T	= Case hardened steel
TE	= Teflon

When ordering spares always indicate type and serial number of pump, quantity, part name, and number.



**Dosierpumpen, Chemiekreiselpumpen, Schlamm-und Abwasserpumpen, Anlagen zum Reinigen industrieller Abluft**

ZIER Pumpen und Anlagen AG  
 CH -9323 Steinach

Telefon: (++41) 71 446 00 00  
 Fax: (++41) 71 446 00 05

E-Mail: [info@zier-anlagenbau.ch](mailto:info@zier-anlagenbau.ch)  
 Internet: [www.zier-anlagenbau.ch](http://www.zier-anlagenbau.ch)

**varisco®**  
 a solid name in fluids